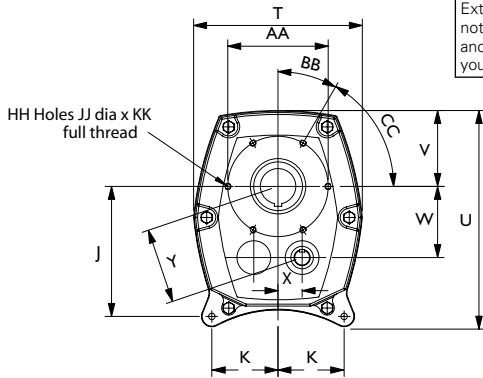


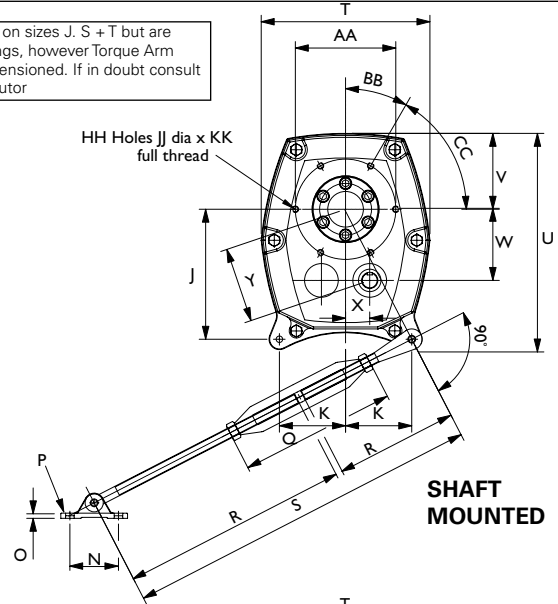
DIMENSIONS—SHAFT AND FLANGE MOUNTING

B - T



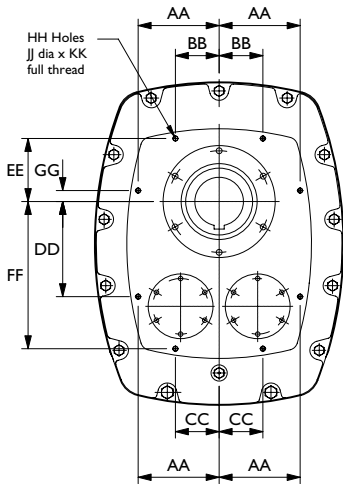
FLANGE MOUNTED

Extra case bolts are present on sizes J, S + T but are not detailed on these drawings, however Torque Arm anchorage points are as dimensioned. If in doubt consult your local Authorised Distributor

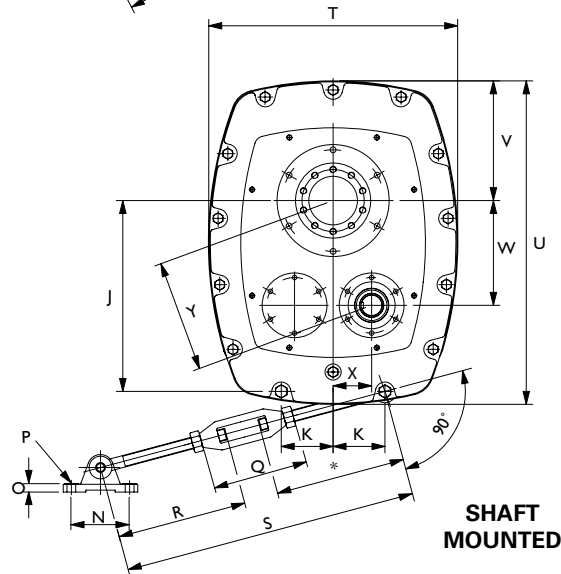


SHAFT MOUNTED

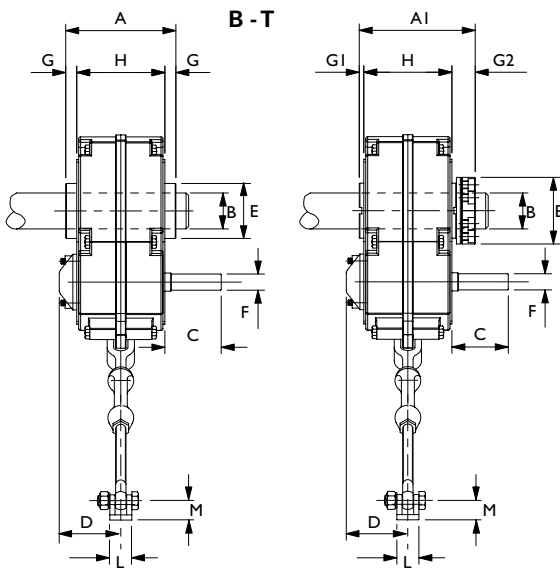
K - L - M



FLANGE MOUNTED

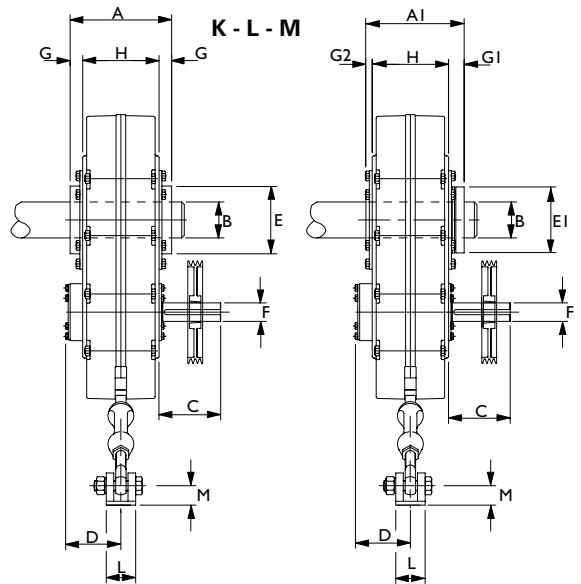


SHAFT MOUNTED



STANDARD HUB

TAPER-GRIP™ HUB



STANDARD HUB

TAPER-GRIP™ HUB

* On size L only this dimension is 375mm

Shaft Mounted Speed Reducer Dimensions



DIMENSIONS—SHAFT AND FLANGE MOUNTING

Dimension	SMSR Size												
	B	C	D	E	F	G	H	J	S	T	K	L	M
A	117	152	161	173	195	214	255	275	290	312	310	356	406
A1	138	162	170	184	201	231	261	272	278	290	297	345	395
B	See Output Hub Dimensions Table on Page 257												
C	61	73	82	87	95	100	115	126	145	180	186	216	241
D	65	82	93	95	108	114	127	132	123	132	196	203	225
E	74	82	92	104	114	138	152	170	186	207	218	238	278
E1	55	65	75	85	100	110	130	150	160	180	207	232	276
F	19	19	22	25	28	32	42	48	55	60	60	65	85
G	11	17	17	19	20	20	26	30	35	44	44	44	44
G1	7	7	7	7	7	7	7	7	7	7	21	22	22
G2	36	37	36	42	39	50	51	50	51	59	54	55	55
H	95	118	127	135	155	174	203	215	220	224	222	268	318
J	144	137	169	201	238	261	294	353	456	519	513	590	677
K	63	75	84	102	121	133	152	145	157	160	102	160	190
L	24	24	28	28	34	34	70	70	70	70	70	110	110
M	20	20	24	24	30	30	50	50	50	50	51	76	76
N	65	65	75	75	100	100	120	120	120	120	120	180	180
O	5	5	8	8	12	12	18	18	18	18	18	26	26
P	10	10	13	13	17	17	16	16	16	16	M16	M24	M24
Q	200	200	216	216	216	216	222	222	222	222	222	265	265
R	300	300	350	350	375	375	375	375	375	375	375	400	400
S†	Max.	600	600	700	700	750	750	750	750	750	750	775	800
	Min.	750	750	850	850	900	900	900	900	900	900	925	950
T	160	186	218	258	278	317	365	434	542	568	643	770	880
U	208	234	282	330	385	421	477	570	734	814	841	1000	1140
V	72	81	96	117	129	143	162	195	254	281	298	370	410
W	66	75	90	110	125	141	156	189	255	267	280	324	373
X	24	25	31	37	43	50	56	62	75	92	100	119	133
Y	70	79	95	116	133	150	166	200	266	282	297	345	396
AA	106	120	135	155	175	212	255	280	280	320	208	250	315
BB	45°	45°	45°	30°	30°	30°	0°	0°	22.5°	22.5°	60	135	130
CC	90°	90°	90°	60°	60°	60°	60°	45°	45°	45°	60	135	130
DD	-	-	-	-	-	-	-	-	-	-	227	294	280
EE	-	-	-	-	-	-	-	-	-	-	176	195	215
FF	-	-	-	-	-	-	-	-	-	-	413	455	535
GG*	-	-	-	-	-	-	-	-	-	-	-19	34	-40
JJ	M8	M10	M10	M10	M12	M16	M20	M20	M20	M20	M16	M16	M16
HH	4	4	4	6	6	6	5	7	8	8	8	8	8
KK	15	15	15	15	18	24	30	30	30	30	27	27	27
Weight (kg)	single	10	14	19	29	41	64	84	122	179	242		
	double	11	15	21	31	45	69	92	133	197	268	385	545

All dimensions are in millimetres. Keyways are British Standard metric.

* Measured in the direction of DD.

† Permits 150mm adjustment to tighten V-Belts. By cutting off threaded end of rods dimension 'S' may be reduced by up to 300mm sizes B & C. 350mm on sizes D & E, 395mm on sizes F, G, H, J & S, 300mm on size K, 330mm on size L, 335mm on size M.

EXACT GEAR RATIOS

Nominal ratio	B	C	D	E	F	G	H	J	S	T	K	L	M
5:1	5.091	4.941	5.300	5.047	5.047	5.047	5.047	5.047	5.047	4.684	-	-	-
13:1	13.315	13.410	14.268	13.587	13.587	13.395	13.587	13.587	13.587	13.644	13.270	13.260	12.850
20:1	20.095	20.421	21.481	20.455	20.455	20.455	20.455	20.455	20.455	20.113	19.970	19.580	19.330
25:1	-	23.544	25.600	25.235	25.235	25.235	25.235	25.235	25.235	23.654	24.000	24.733	22.601